

# Finale<sup>TM</sup> Finishing Dryer

Vehicle Drying System



## Standard Features

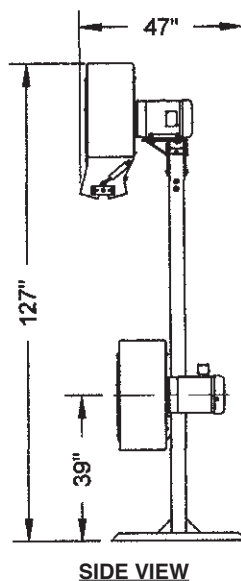
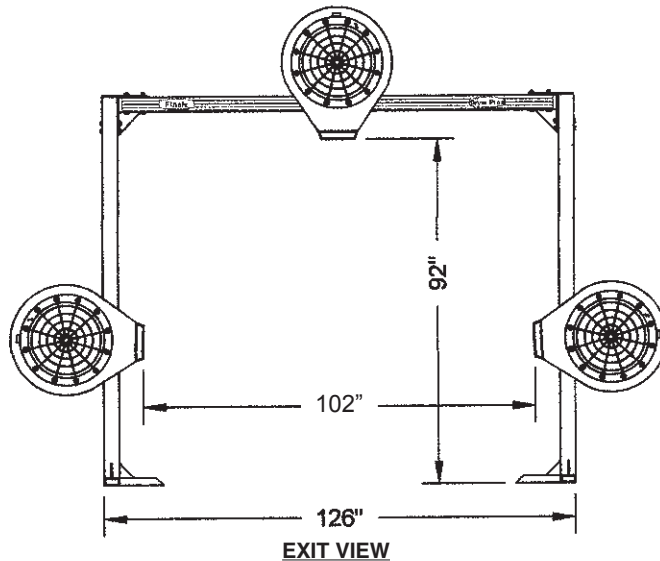
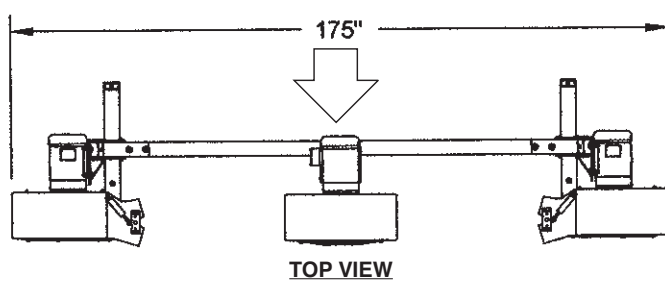
- Special **Dual Port**\* nozzles change direction of air stream to better dry areas unreachable by standard nozzles
- **Side nozzles** cover fronts, sides and rear areas of vehicles
- **Top nozzle** covers hoods, roofs, trunks and rear bumpers of vehicles
- 3, 4 or 6-nozzle models
- Available with 10H.P. or 15 H.P. motors

## Optional Features

- Nozzle oscillation system\*
- Energy-saving Air On-Demand System\*
- Sound absorbing inlet covers
- Motor Control Center with special step-start feature

\* Patented Features

The  
**Dryer Pros**



Models 36-123, 36-124, 36-126

### Finale™ Dryer

Overall Height: 127"  
 Overall Width: 175"  
 Overall Depth: 47"

Maximum Vehicle Clearance: 90" h x 102" w

Approximate Air Flow:  
 10 H.P. Blower Assy. 3,600 CFM  
 15 H.P. Blower Assy. 4,000 CFM

Approximate Air Velocity:  
 10 H.P. Blower Assy. 162 MPH  
 15 H.P. Blower Assy. 182 MPH

\*Full Amp Load:  
 10 H.P. Blower Assy. 23 amps @ 230/3/60 volts  
 15 H.P. Blower Assy. 34 amps @ 230/3/60 volts  
 1/3 H.P. Osc. Motor 5.5 amps @ 115 VAC  
 \*Varies with Voltage

Bearings:  
 Internal Gate Shaft 1/2", 2-bolt, flanged  
 Optional Oscillator Shaft 1", 2-bolt, pillow block

Air Cylinders:  
 Internal Gate Actuator 1-1/2" Bore x 3" Stroke

NOTE: Motor starters and activation system required.

© 2014 The Dryer Pros LLC All rights reserved. The Dryer Pros reserves the right to make improvements on products, and change specifications and prices accordingly without notice.

The  
**Dryer Pros**