

Cyclone[®]

Vehicle Drying System



Standard Features

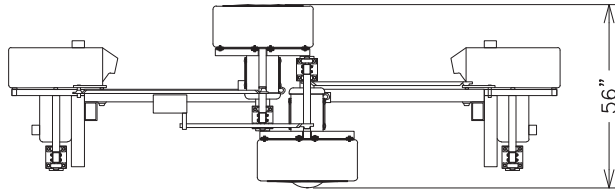
- Powerful oscillating* air streams efficiently strip water from vehicles
- Top nozzles overlap centerline
- 4 or 6 nozzle models available
- 10 H.P. or 15 H.P. motors and impellers
- One-piece polymer housings have oval shaped discharge nozzles
- Heavy aluminum construction

Optional Features

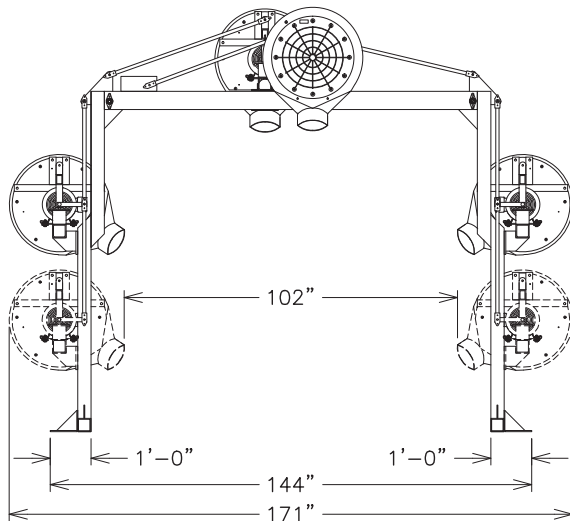
- Air On-Demand system*
- Dual Port "flip" nozzles*
- Motor Control Centers with Step-Start Feature
- Variable Frequency Drives

*Patented Features

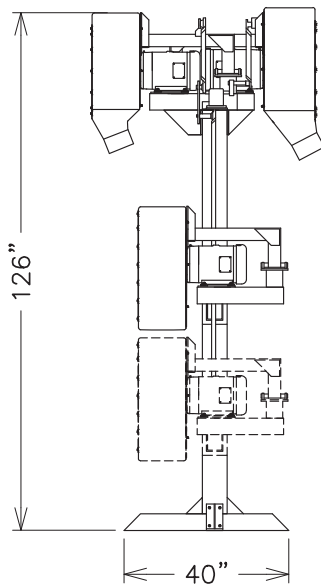
The
Dryer Pros



TOP VIEW



ENTRANCE VIEW



SIDE VIEW

Models 36-194, 36-196

Cyclone® Touch-Free Dryers

Overall Height: 126"
 Overall Width: 171"
 Overall Length: 56"

Maximum Vehicle Clearance: 90" h x 100" w

Air Flow:
 10 H.P. Blower Assy. 3,600 CFM
 15 H.P. Blower Assy. 4,000 CFM

Air Velocity:
 10 H.P. Blower Assy. 162 MPH
 15 H.P. Blower Assy. 182 MPH

Amp Load:
 10 H.P. Blower Assy. 23 amps @ 230/3/60 volts
 15 H.P. Blower Assy. 34 amps @ 230/3/60 volts
 1/4 H.P. Osc. Motor 5.6 amps @ 115/1/60 volts

Bearings:
 Jack Shafts 1", 2-bolt, pillow block
 Drive Rods 1/2", 2-bolt, flanged

NOTE: Motor starters and activation system required.

© 2009 The Dryer Pros LLC All rights reserved. The Dryer Pros reserves the right to make improvements on products, and change specifications and prices accordingly without notice.

