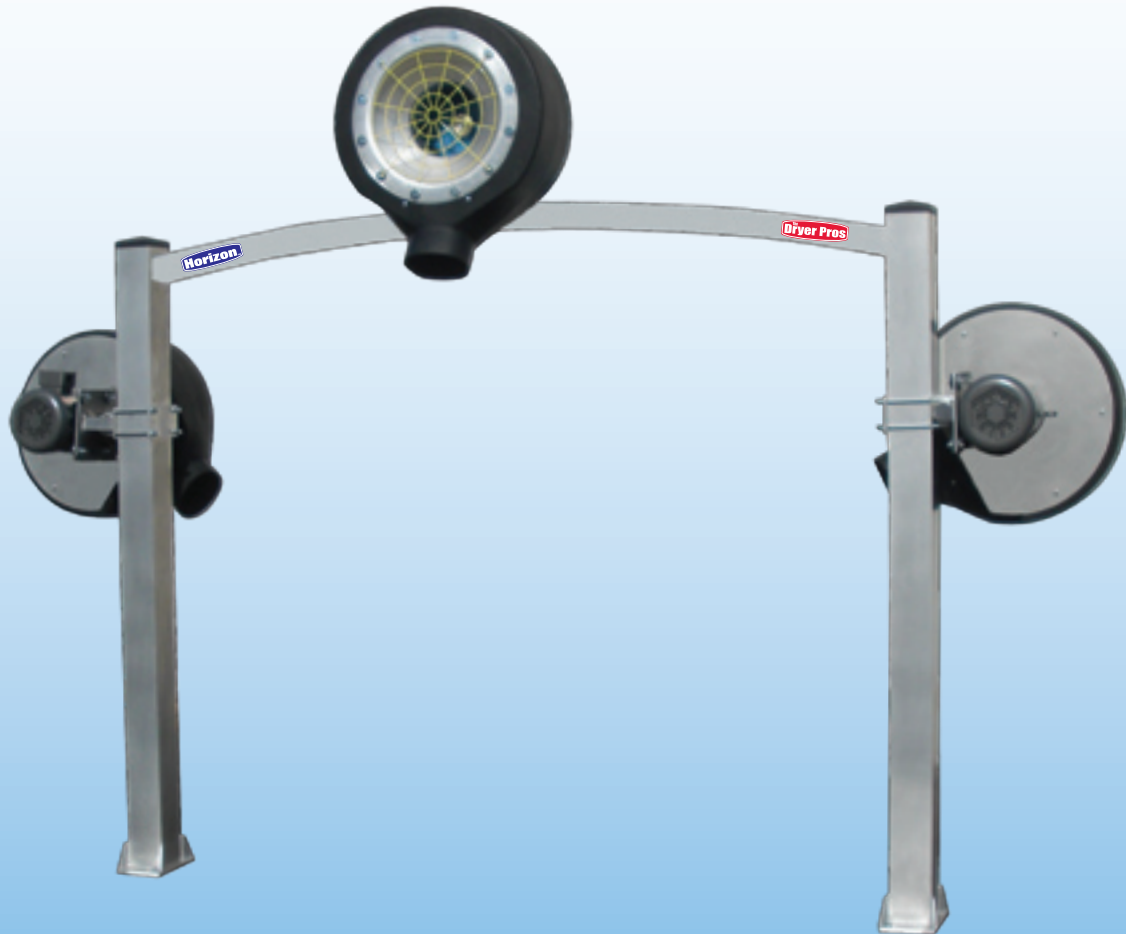


HorizonTM Floor Mount

Vehicle Drying System



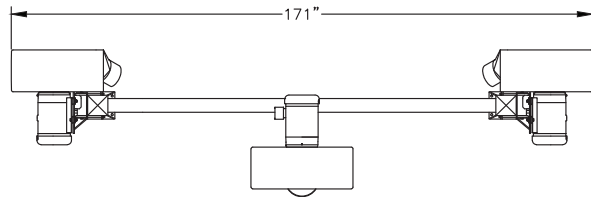
Standard Features

- Unique design features curved bridge with massive support legs
- Available with 3 or 4-nozzles
- Ideal for in-bay automatics or short tunnels
- 10 H.P. or 15 H.P. motors with SUPERfansTM
- One-piece rotomolded fan housings with oval nozzles
- Top nozzles located in front of side nozzles for better drying
- Air intake for side nozzles away from wet area
- Heavy aluminum construction

Optional Features

- Patented Oscillating top nozzles
- Patented Dual PortTM top nozzles for drying rear windows and trunks
- Energy Saving Air On-Demand system
- Sound absorbing inlet covers
- Motor control panels with step-start feature or Variable Frequency Drive (VFD)

The
Dryer Pros



TOP VIEW

Dimensions

Overall Height: 127"
 Overall Width: 175"
 Overall Depth: 55-3/4"

Maximum Vehicle

Clearance: 90" h x 102" w

Air Flow:

10 H.P. Blower Assy. 3,600 CFM
 15 H.P. Blower Assy. 4,000 CFM

Air Velocity:

10 H.P. Blower Assy. 162 MPH
 15 H.P. Blower Assy. 182 MPH

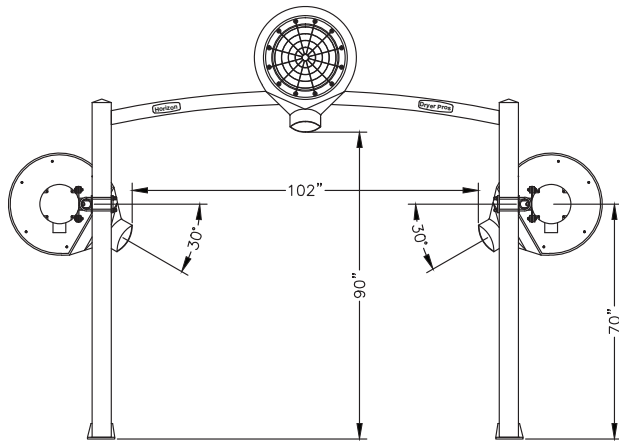
Amp Load:

10 H.P. Blower Assy. 23 amps
 @ 230/3/60 volts
 15 H.P. Blower Assy. 34 amps
 @ 230/3/60 volts
 1/3 H.P. Osc. Motor 5.5 amps
 @ 115 VAC

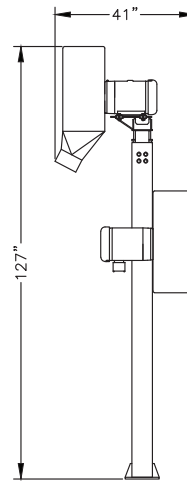
Bearings:

Osc. Nozzle Arm 1", 2-bolt,
 pillow block
 Drive Rods 1/2", 2-bolt,
 flanged

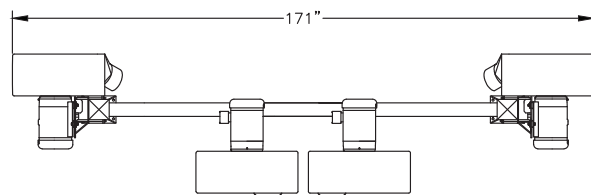
NOTE: Motor starters and activation system required.



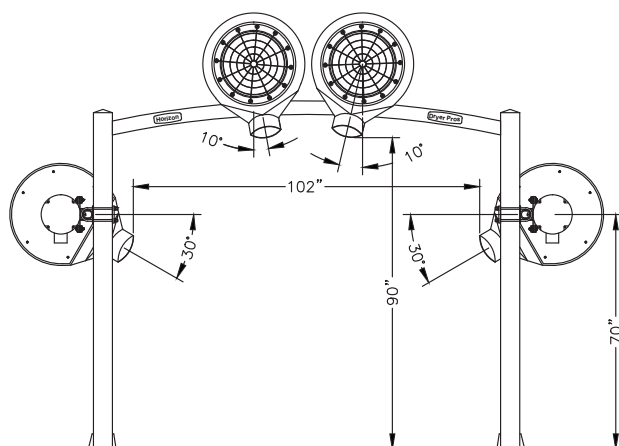
ENTRANCE VIEW



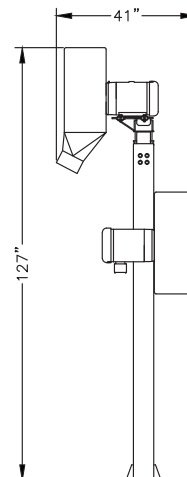
SIDE VIEW



TOP VIEW



ENTRANCE VIEW



SIDE VIEW

© 2009 The Dryer Pros LLC All rights reserved. The Dryer Pros reserves the right to make improvements on products, and change specifications and prices accordingly without notice.

