

Tempest™

Vehicle Drying System



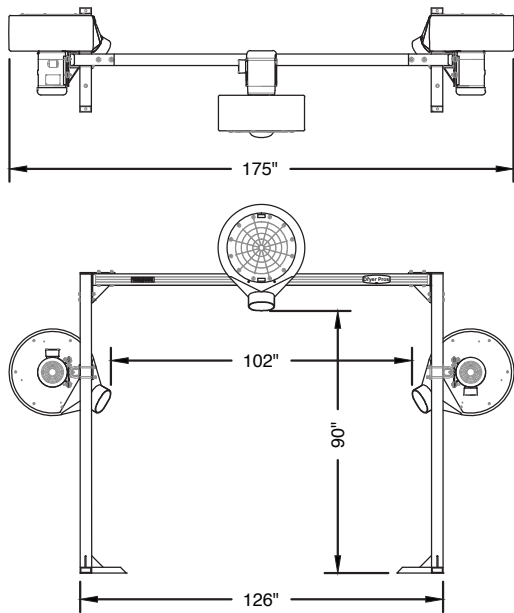
Standard Features

- Available with 3 or 4-nozzles
- Ideal for in-bay automatics or short tunnels
- 10 H.P. or 15 H.P. motors with SUPERfans™
- One-piece rotomolded fan housings with oval nozzles
- Top nozzles located in front of side nozzles for better drying
- Air intake for side nozzles away from wet area
- Heavy aluminum construction

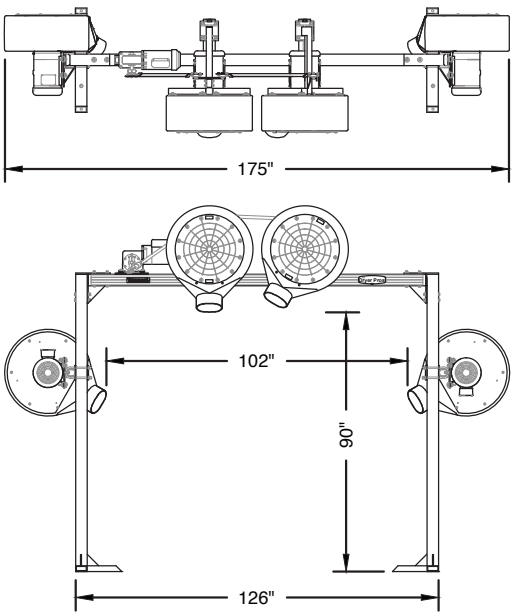
Optional Features

- Patented Oscillating nozzles
- Patented Dual Port™ Top nozzles for drying rear windows and trunks
- Energy saving Air On-Demand System
- Motor control panels with step-start feature or Variable Frequency Drive (VFD)

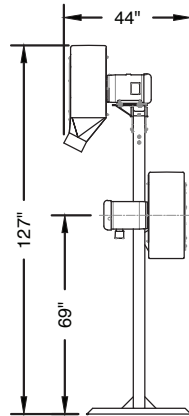
The
Dryer Pros



Model 36-102A



Model 36-116A



Tempest™ Dryer

Overall Height: 127"
 Overall Width: 175"
 Overall Depth: 44"

Maximum Vehicle Clearance: 90" h x 102" w

Air Flow:
 10 H.P. Blower Assy. 3,600 CFM
 15 H.P. Blower Assy. 4,000 CFM

Air Velocity:
 10 H.P. Blower Assy. 162 MPH
 15 H.P. Blower Assy. 182 MPH

Amp Load:
 10 H.P. Blower Assy. 23 amps @ 230/3/60 volts
 15 H.P. Blower Assy. 34 amps @ 230/3/60 volts
 1/3 H.P. Osc. Motor 5.5 amps @ 115 VAC

Bearings:
 Osc. Nozzle Arm 1", 2-bolt, pillow block
 Jack Shafts 1", 2-bolt, flanged
 Drive Rods 1/2", 2-bolt, flanged

Models

- 36-102A 3-Nozzles, 10 HP or 15 HP
(1-Stationary Nozzle On Top And 1-Stationary Nozzle On Each Side)
- 36-107A 3-Nozzles, 10 HP or 15 HP
(1-Oscillating Nozzle On Top And 1-Stationary Nozzle On Each Side)
- 36-112A 3-Nozzles, 10 HP or 15 HP
(1-Oscillating Nozzle On Top And 1-Oscillating Nozzle On Each Side)
- 36-109A 4-Nozzles, 10 HP or 15 HP
(2-Stationary Nozzle On Top And 1-Stationary Nozzle On Each Side)
- 36-116A 4-Nozzles, 10 HP or 15 HP
(2-Oscillating Nozzles On Top And 1-Stationary Nozzle On Each Side)
- 36-114A 4-Nozzles, 10 HP or 15 HP
(2-Oscillating Nozzles On Top And 1-Oscillating Nozzle On Each Side)

NOTE: Motor starters and activation system required.

© 2009 The Dryer Pros LLC All rights reserved. The Dryer Pros reserves the right to make improvements on products, and change specifications and prices accordingly without notice.

