

# Cyclone<sup>®</sup>

## Vehicle Drying System



### Standard Features

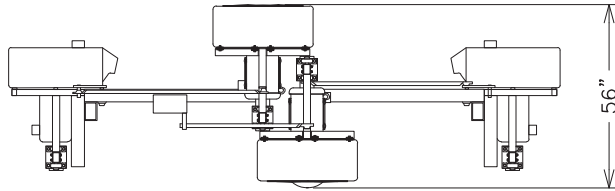
- Powerful oscillating\* air streams efficiently strip water from vehicles
- Top nozzles overlap centerline
- 4 or 6 nozzle models available
- 10 H.P. or 15 H.P. motors and impellers
- One-piece polymer housings have oval shaped discharge nozzles
- Heavy aluminum construction

### Optional Features

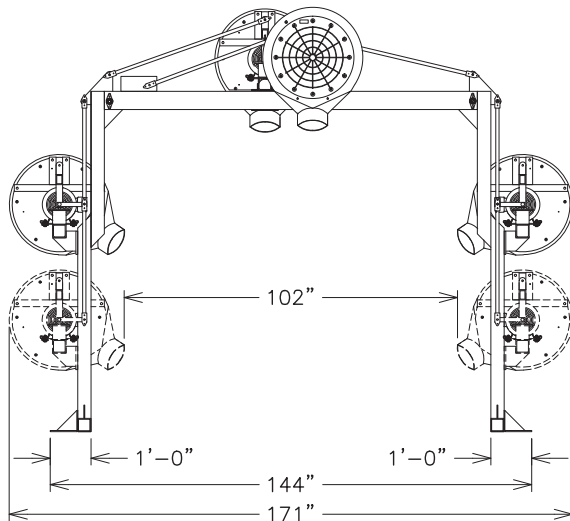
- Air On-Demand system\*
- Dual Port "flip" nozzles\*
- Motor Control Centers with Step-Start Feature
- Variable Frequency Drives

\*Patented Features

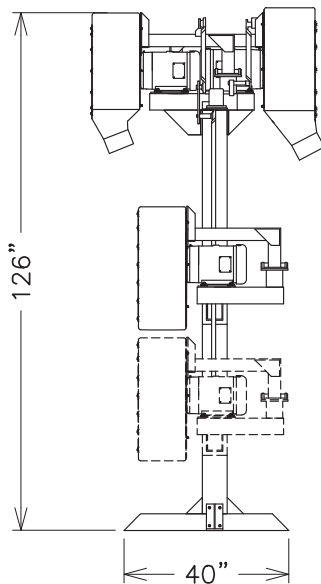
The  
**Dryer Pros**



TOP VIEW



ENTRANCE VIEW



SIDE VIEW

Models 36-194, 36-196

### Cyclone® Touch-Free Dryers

Overall Height: 126"  
 Overall Width: 171"  
 Overall Length: 56"

Maximum Vehicle Clearance: 90" h x 100" w

Air Flow:  
 10 H.P. Blower Assy. 3,600 CFM  
 15 H.P. Blower Assy. 4,000 CFM

Air Velocity:  
 10 H.P. Blower Assy. 162 MPH  
 15 H.P. Blower Assy. 182 MPH

Amp Load:  
 10 H.P. Blower Assy. 23 amps @ 230/3/60 volts  
 15 H.P. Blower Assy. 34 amps @ 230/3/60 volts  
 1/4 H.P. Osc. Motor 5.6 amps @ 115/1/60 volts

Bearings:  
 Jack Shafts 1", 2-bolt, pillow block  
 Drive Rods 1/2", 2-bolt, flanged

NOTE: Motor starters and activation system required.

© 2009 The Dryer Pros LLC All rights reserved. The Dryer Pros reserves the right to make improvements on products, and change specifications and prices accordingly without notice.

