

# Crosswind™

Horizon Series

## Vehicle Drying System



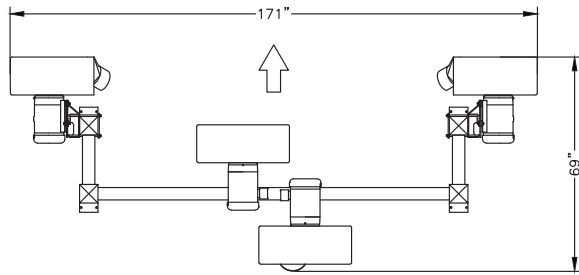
### Standard Features

- Unique design combines curved bridge with extra large support legs
- Overlapping top nozzles angled to blow water from center to outside edge
- Available with 4, 6 or 7 nozzles
- Ideal for medium volume tunnels
- 10 H. P. or 15 H. P. motors with SUPERfans™
- One-piece rotomolded fan housings with oval nozzles
- All nozzles fully adjustable
- Heavy aluminum construction

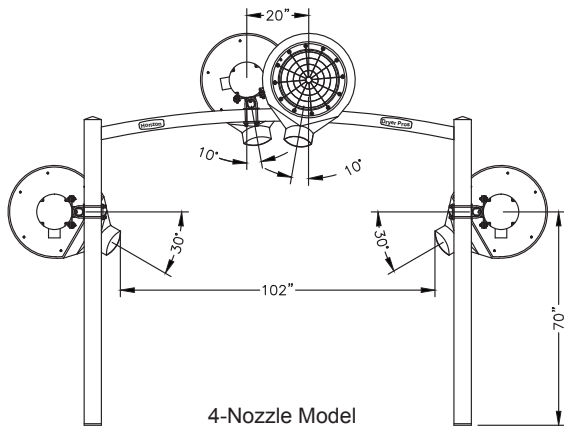
### Optional Features

- 3-Top Nozzle System
- Energy saving Air On-Demand™ system
- Dual Port™ nozzles for drying front and rear
- Sound absorbing inlet covers
- Motor control panels with step-start feature or Variable Frequency Drive (VFD)

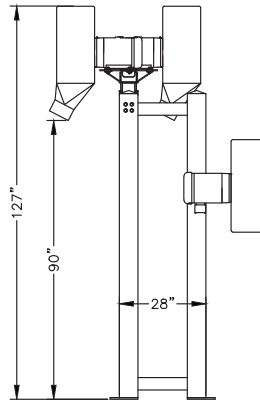
The  
**Dryer Pros**®



TOP VIEW



4-Nozzle Model  
ENTRANCE VIEW



SIDE VIEW

### Dimensions

Overall Height: 127"  
Overall Width: 171"  
Overall Depth: 69"

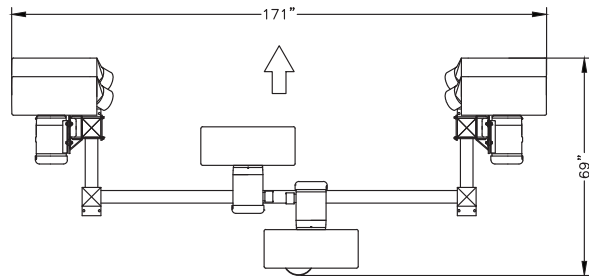
Maximum Vehicle Clearance: 90" h x 102" w

Air Flow:  
10 H.P. Blower Assy. 3,600 CFM  
15 H.P. Blower Assy. 4,000 CFM

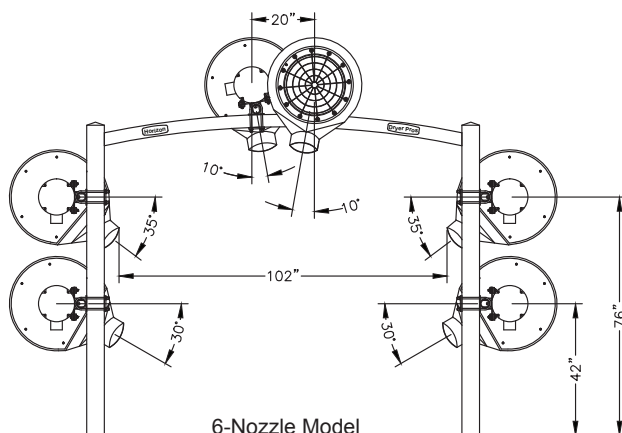
Air Velocity:  
10 H.P. Blower Assy. 162 MPH  
15 H.P. Blower Assy. 182 MPH

Amp Load:  
10 H.P. Blower Assy. 23 amps  
@ 230/3/60 volts  
15 H.P. Blower Assy. 34 amps  
@ 230/3/60 volts

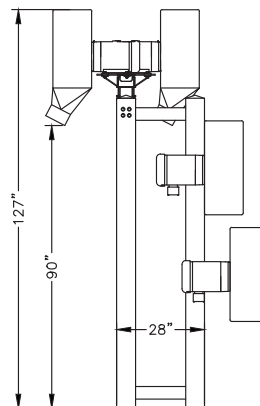
NOTE: Motor starters and activation system required.



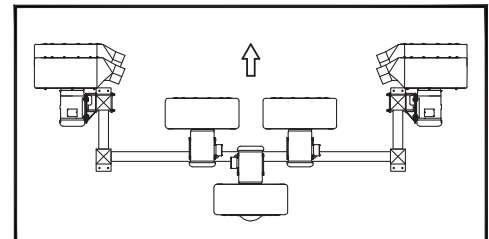
TOP VIEW



6-Nozzle Model  
ENTRANCE VIEW



SIDE VIEW



Optional 3-Top Nozzle System

© 2011 The Dryer Pros LLC All rights reserved. The Dryer Pros reserves the right to make improvements on products, and change specifications and prices accordingly without notice.

