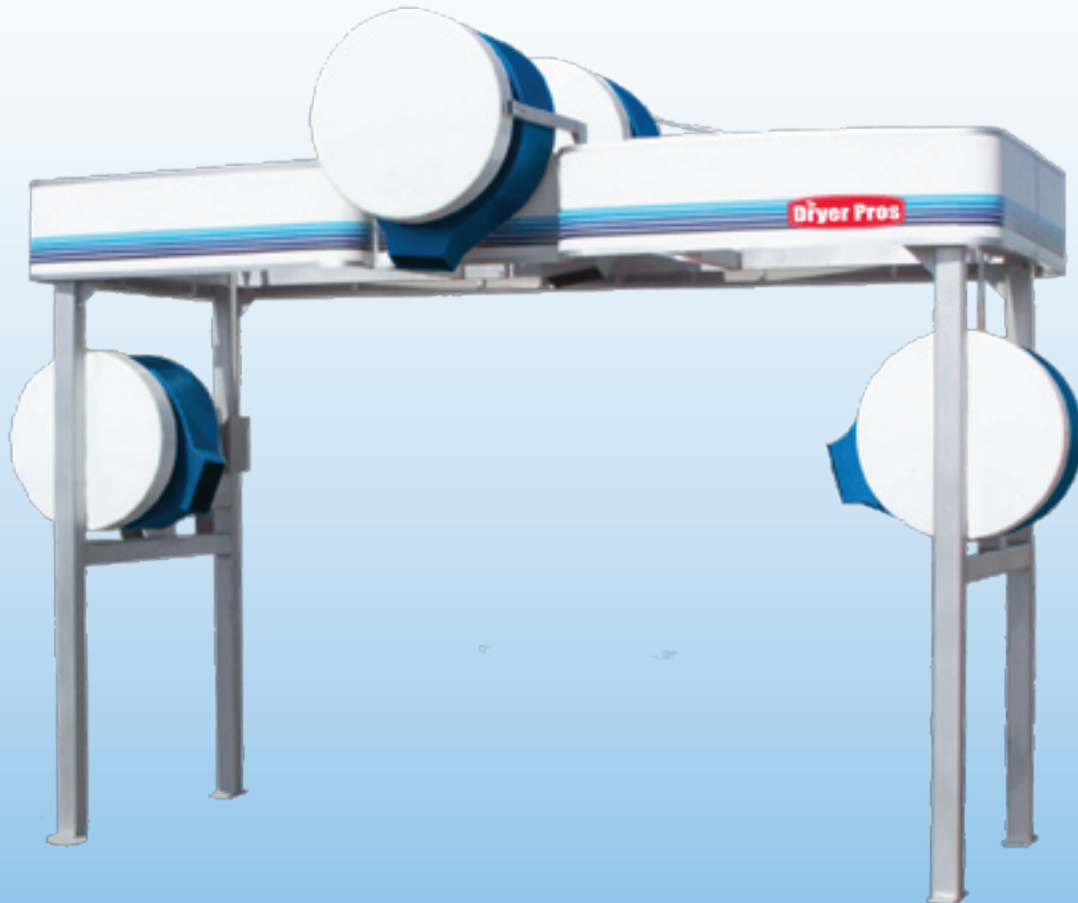


Hurricane[®]

Vehicle Drying System



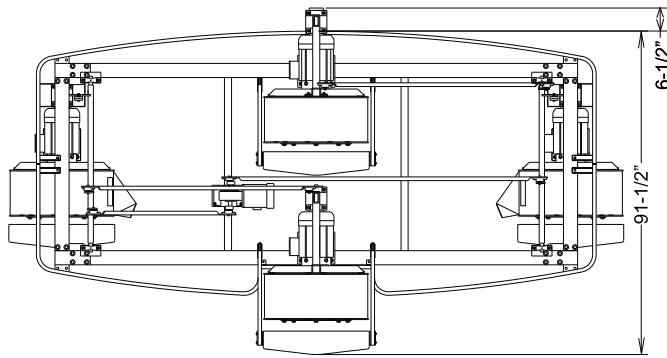
Standard Features

- Requires little floor space
- Excellent for short tunnels
- 3, 4 or 6-nozzle models available
- All nozzles oscillate for maximum drying
- 10 H.P. or 15 H.P. motors with SUPERfans™
- One-piece rotomolded polymer fan housings with oval nozzles
- Sound absorbing inlet covers
- Heavy aluminum construction

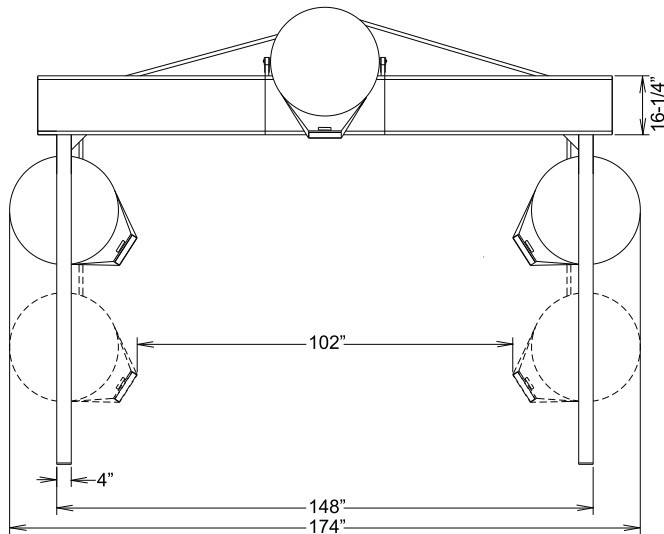
Optional Features

- Patented Dual Port™ nozzles for drying rear windows and trunks
- Air On-Demand System
- Motor control panels with step-start feature or Variable Frequency Drive (VFD)

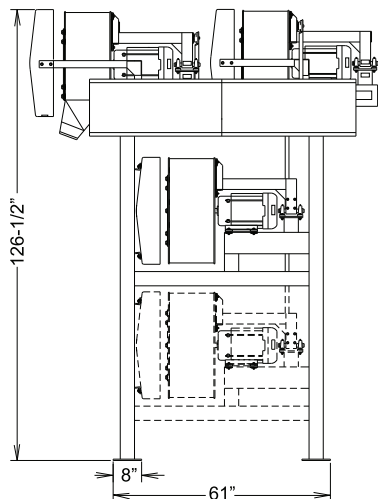
The
Dryer Pros



TOP VIEW



ENTRANCE VIEW



SIDE VIEW

Models 36-191, 36-192, 36-193

Hurricane® Touch-Free Dryers

Overall Height: 126-1/2"
 Overall Width: 174-1/2"
 Overall Length: 98"

Floor Space: 61" x 148"

Maximum Vehicle Clearance: 90" h x 102" w

Air Flow:
 10 H.P. Blower Assy. 3,600 CFM
 15 H.P. Blower Assy. 4,000 CFM

Air Velocity:
 10 H.P. Blower Assy. 162 MPH
 15 H.P. Blower Assy. 182 MPH

Amp Load:
 10 H.P. Blower Assy. 23 amps @ 230/3/60 volts
 15 H.P. Blower Assy. 34 amps @ 230/3/60 volts
 1/4 H.P. Osc. Motor 5.6 amps @ 115/1/60 volts

Bearings:
 Jack Shafts 1", 2-bolt, pillow block
 Drive Rods 1/2", 2-bolt, flanged

NOTE: Motor starters and activation system required.

© 2009 The Dryer Pros LLC All rights reserved. The Dryer Pros reserves the right to make improvements on products, and change specifications and prices accordingly without notice.

