

Crosswind™

Horizon
Series

Vehicle Drying System



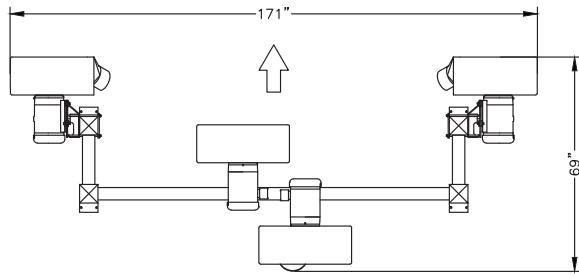
Standard Features

- Unique design combines curved bridge with extra large support legs
- Overlapping top nozzles angled to blow water from center to outside edge
- Available with 4 or 6 nozzles
- Ideal for medium volume tunnels
- 10 H. P. or 15 H. P. motors with SUPERfans™
- One-piece rotomolded fan housings with oval nozzles
- All nozzles fully adjustable
- Heavy aluminum construction

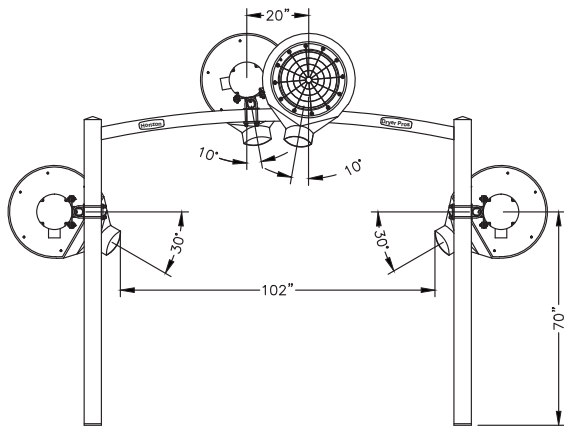
Optional Features

- Energy saving Air On-Demand™ system
- Dual Port™ nozzles for drying front and rear
- Sound absorbing inlet covers
- Motor control panels with step-start feature or Variable Frequency Drive (VFD)

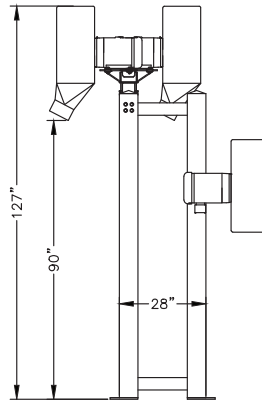
The
Dryer Pros®



TOP VIEW



ENTRANCE VIEW



SIDE VIEW

Dimensions

Overall Height: 127"
 Overall Width: 171"
 Overall Depth: 69"

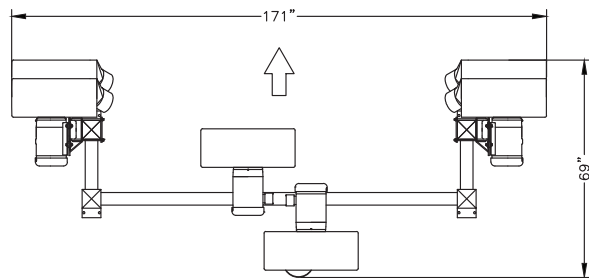
Maximum Vehicle Clearance: 90" h x 102" w

Air Flow:
 10 H.P. Blower Assy. 3,600 CFM
 15 H.P. Blower Assy. 4,000 CFM

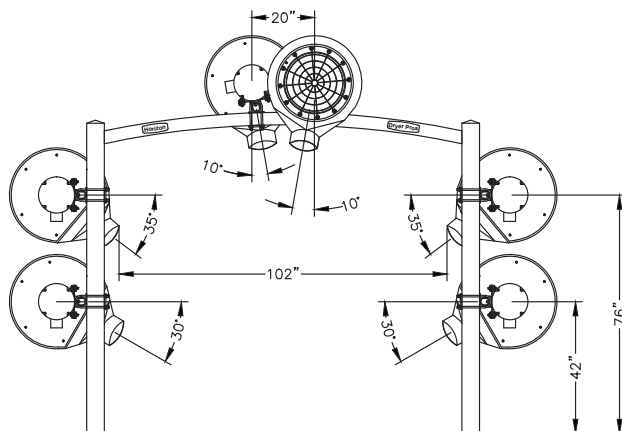
Air Velocity:
 10 H.P. Blower Assy. 162 MPH
 15 H.P. Blower Assy. 182 MPH

Amp Load:
 10 H.P. Blower Assy. 23 amps @ 230/3/60 volts
 15 H.P. Blower Assy. 34 amps @ 230/3/60 volts

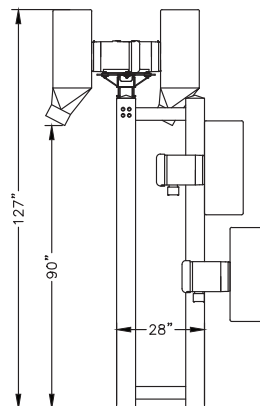
NOTE: Motor starters and activation system required.



TOP VIEW



ENTRANCE VIEW



SIDE VIEW

© 2011 The Dryer Pros LLC All rights reserved. The Dryer Pros reserves the right to make improvements on products, and change specifications and prices accordingly without notice.

